

Ag

Cu

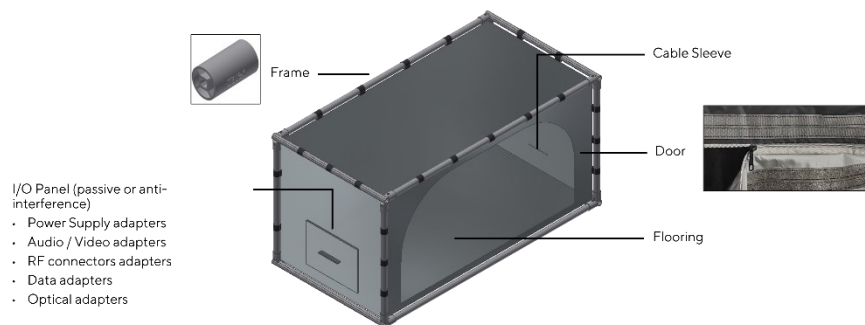
Ni

Sn

## Shieldex® RF Enclosure Table Top

RF - X TBZN3S

<b>Series</b>	T-Series
<b>Inner size of the enclosure</b>	610 x 1220 x 610 mm (LxWxH)
<b>Outer size of the frame</b>	752 x 1362 x 732 mm (LxWxH)
<b>Material Construction</b>	
<b>Triple Layer</b>	Shieldex® Nora Dell RS CR Shieldex® Zell RS Shieldex® Berlin RS
<b>Clean Room</b>	Clean Room compatible to A300 (Class 1000)
<b>Shielding Effectiveness</b>	Average 80 dB in a frequency range of 0.3 GHz - 18 GHz
<b>Included</b>	Cable Sleeve, Door, Flooring, Aluminum Frame, Transportation Bag, Repair Kit, Tool, Installation Manual
<b>Optional</b>	I/O Panel, Ventilation System, Window
<b>Storage and Handling</b>	According to our care and handling instructions
<b>Compliance and Certification</b>	DIN EN ISO 9001:2015, REACH, RoHS



**Alterations Reserved 17.09.21/01** – The above information has been compiled from our manufacturer area according to the latest state of development and application technology. Since application and further processing are beyond our control, no liability of the producer can be derived from the contents of the data sheet. All deviant or transcending data sheet information must be confirmed in written form by the manufacturer. Our general terms and conditions apply in all cases. All previous data sheets are invalid with the publication of this data sheet. Please note our handling and storage instructions as well accessible at [www.shieldex.de](http://www.shieldex.de).